

AG936 GROUNDING GEL

DESIGNED FOR HIGH FREQUENCY GROUNDING PADS

PRODUCT SPECIFICATION - BULK ROLL HYDROGEL

Property / Test Method

Volume Resistivity
 Stainless Steel (Skin Side) Adhesion (180° Peel)
 Top Liner (Tie Side) Adhesion to Gel (90° Peel)
 Bottom Liner (Skin Side) Adhesion to Gel (90° Peel)
 Hydrogel Thickness
 Hydrogel pH
 Hydrogel Dimensions
 Top Release Liner
 Bottom Release Liner
 Cytotoxicity Test (ISO 10993-5)
 Irritation Test (ISO 10993-10)
 Sensitization Test (ISO 10993-10)
 Shelf Life
 Core Size

Specification

7000 ohm-cm max
 110 g/in (43 g/cm) min¹
 200 g/in (79 g/cm) max
 120 g/in (47 g/cm) max
 36 +/- 5 mils (0.9 +/- 0.1 mm)
 4.25 (+/- 0.5)
 Width - 9" (22.9 cm), Length - 300' (91 m) +/-2%
 Width - 9.75" (24.8 cm), Thickness - 2 mil (0.05 mm) LDPE
 Width - 10" (25.4 cm), Thickness - 5 mil (0.13 mm) PET
 Non-Cytotoxic
 Non-Irritating
 Non-Sensitizing
 Slit - 6 months², Non-slit - 12 Months²
 Slit - 3" (8 cm), Non-slit - 6" (15 cm)

TYPICAL PROPERTIES - BULK ROLL HYDROGEL

Property / Test Method

Volume Resistivity
 Stainless Steel (Skin Side) Adhesion (180° Peel)
 Top Liner (Tie Side) Adhesion to Gel (90° Peel)
 Bottom Liner (Skin Side) Adhesion to Gel (90° Peel)
 Hydrogel Thickness
 Hydrogel pH
 Water Activity (a_w)

Typical Properties

4200 ohm-cm
 255 g/in (100 g/cm)¹
 16 g/in (6 g/cm)
 13 g/in (5 g/cm)
 36 mils (0.9 mm)
 4.2
 0.58

¹ Stainless Steel is not a true measure of skin adhesion. AG936 has good "quick grab" and excellent restick.

² Shelf life is for roll goods prior to conversion. Shelf life for finished goods is the responsibility of the converter.

⚠ Converter assumes responsibility for material compatibility.

STORAGE CONDITIONS

Short-Term Temperature (Less than One Month) 32°F - 104°F (0°C - 40°C)
 Long-Term and Optimal Temperature 41°F - 80°F (5°C - 27°C)

PACKAGING INFORMATION

Box Size 17" x 17" x 12" (43 cm x 43 cm x 30 cm)
 Box Weight Approx. 68 lbs. (31 kg)
 Pallet Size Approx. 45" x 45" x 54" (114 cm x 114 cm x 137 cm)
 Pallet Weight (16 Boxes per Pallet) Approx. 1,118 lbs. (507 kg)

AG936 GROUNDING GEL

DESIGNED FOR HIGH FREQUENCY GROUNDING PADS

RECOMMENDED STORAGE CONDITIONS FOR BULK ROLL HYDROGELS

Bulk roll hydrogels should be stored at ambient temperature at specific ranges noted below in Number 3a and 3b. Storage conditions outside these ranges can adversely affect product stability and product performance.

THE FOLLOWING POINTS SHOULD BE FOLLOWED TO ENSURE ANTICIPATED PRODUCT PERFORMANCE

1. Keep hydrogel out of direct sunlight
2. Store in the original packaging
3. Maintain ambient storage conditions through product expiration
 - a. Short-Term (less than one month) Temperature: 32°F – 104°F (0°C – 40°C)
 - b. Long-Term and Optimal Temperature: 41°F – 80°F (5°C – 27°C)
4. To prevent dry out of hydrogel, liners should be kept on at all times until the gel is used or converted.

SHELF LIFE

The shelf life of bulk roll hydrogels is guaranteed only through the shelf life of the unconverted hydrogel. Axelgaard has stipulated a 12-month shelf life from the date of manufacture for AG936 non-slit bulk roll hydrogel and a 6-month shelf life from the date of manufacture for all slit bulk roll hydrogels.

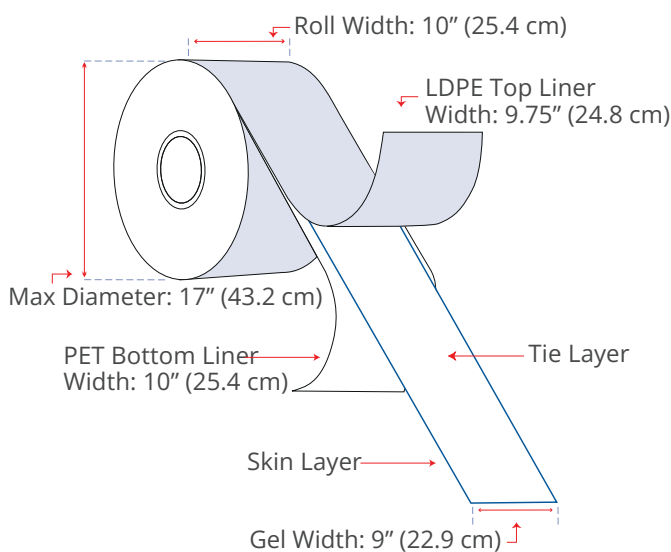
⚠ Converting and packaging the AG936 as soon as possible is recommended for optimal processing of the material.

⚠ Compatibility testing of materials in contact with the hydrogel is also recommended. Certain materials may cause incompatibility when applied to the hydrogel.

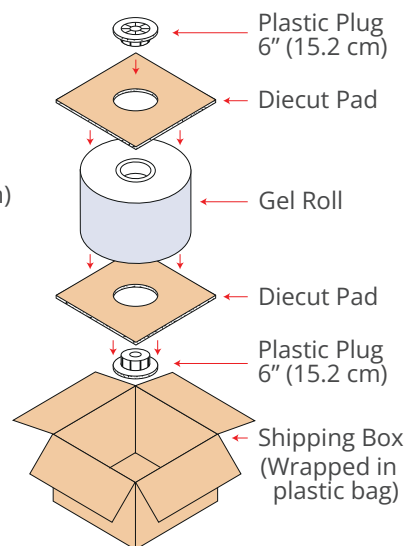
PACKAGING SPECIFICATION

Master Roll Detail

31.5 MSI Units (1 MSI = 1,000 square inches)
Roll Length: 300' (91 m) +/-2%



Bulk Roll Packaging



Slit Gel Roll Packaging

